

## 62-4 Compression Latch

Medium · Lift & turn series · Flush style · Adjustable grip

### Features

- Low profile
- Intuitive operation

### Product Performance

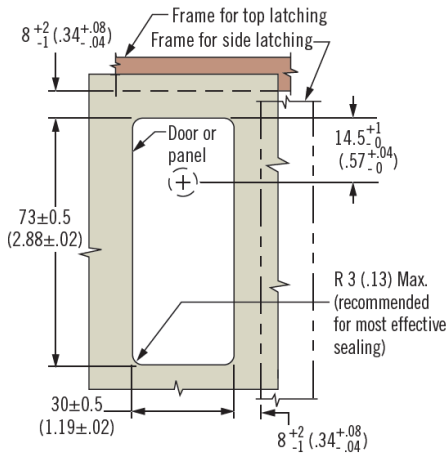
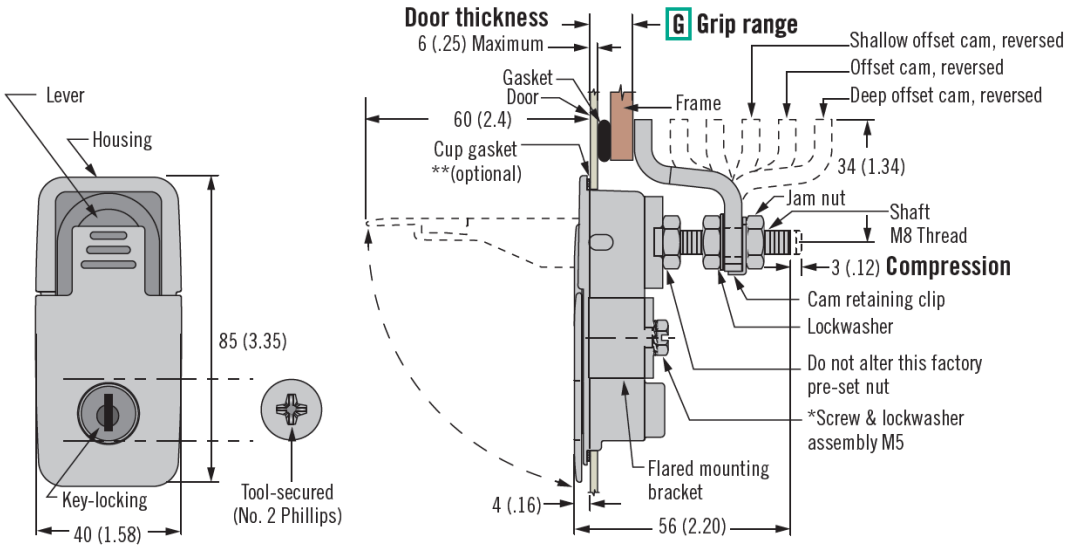
- Maximum static load: 440 N

### Material

- Zinc alloy, powder coated or chrome plated and steel, zinc plated

### Accessories

- Cup gasket part no.: 62-973-431
- Key part no.: PK-10-01



### Installation Notes

1. Environmental sealing is achieved by using a cup gasket and sealing the mounting screw threads
2. Screw and lockwasher assembly M5 x 16. For door thickness greater than 6 calculate screw length using the following formula: Door thickness +10
3. Add 0.4 to door thickness when using cup gasket

62 - 4 **L** - **G** **F** 1 - **P**

- L** Lock style
- 0 Non-locking
  - 2 Key-locking without dust shutter keyed alike CH751
  - 3 Tool secured No. 2 Phillips
  - 21 Locking without lock core

Contact Gripwell for lock core and key-choice selection

- P** Packaging option
- 3 Layer packed
  - 2 Individually packed
- F** Finish
- 0 Textured chrome
  - 1 Polished chrome
  - 5 Black powder coated

Grip	Minimum	Maximum	Cam Type
1	6 (.23)	16 (.63)	Deep offset cam, forward
	56 (2.20)	66 (2.59)	Deep offset cam, reversed
2	16 (.63)	26 (1.02)	Offset cam forward
	46 (1.81)	56 (2.20)	Offset cam reverse
3	26 (1.02)	36 (1.41)	Shallow offset cam, forward
	36 (1.41)	46 (1.81)	Shallow offset cam, reversed

southco®

We are proud to be Southco's authorized distributor of over 20 years